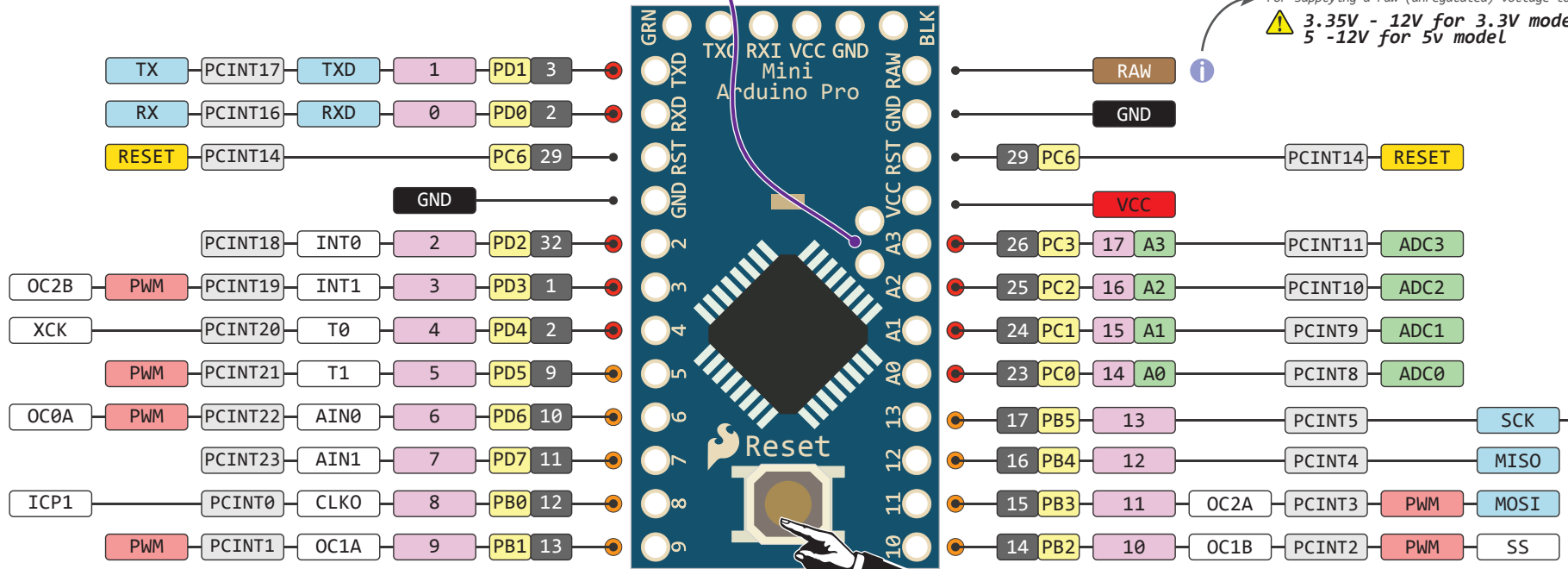
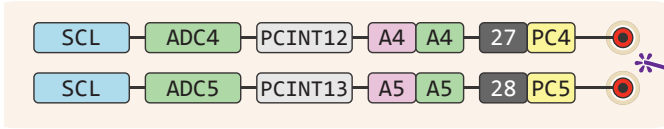
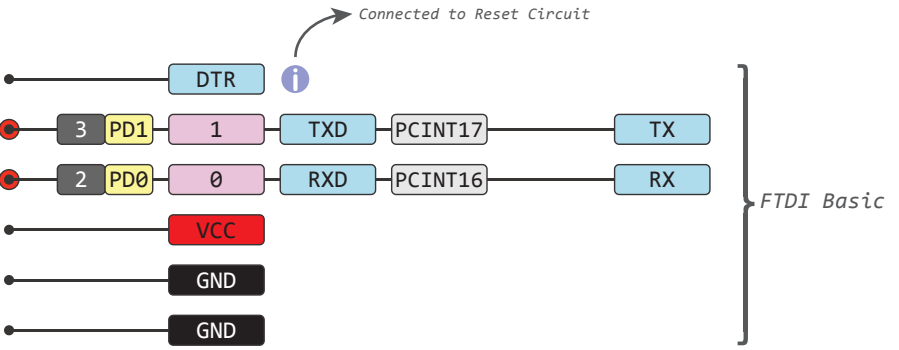


THE UNOFFICIAL

ARDUINO ProMini PINOUT DIAGRAM



- GND
- Power
- Control
- Physical Pin
- Port Pin
- Pin Function
- Digital Pin
- Analog Related Pin
- PWM Pin
- Serial Pin
- IDE
- Source Total 150mA

! Absolute max per pin 40mA
reccomended 20mA

STOP Absolute max 200mA
for entire package